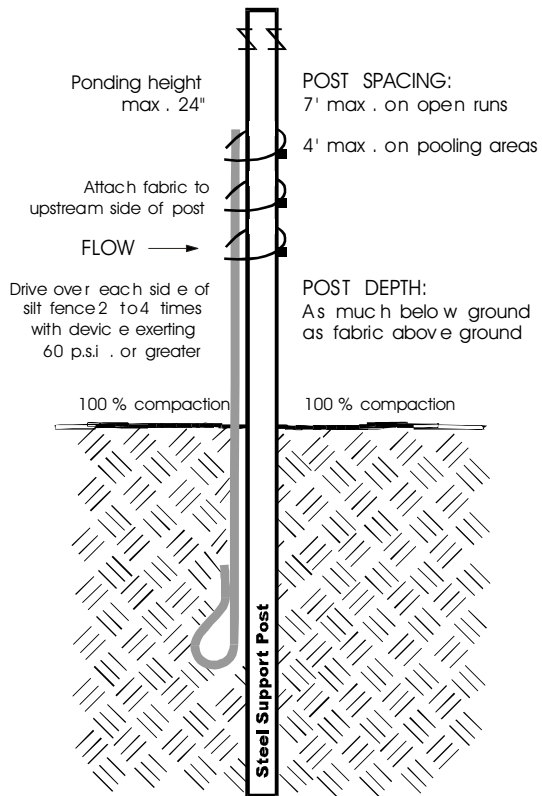
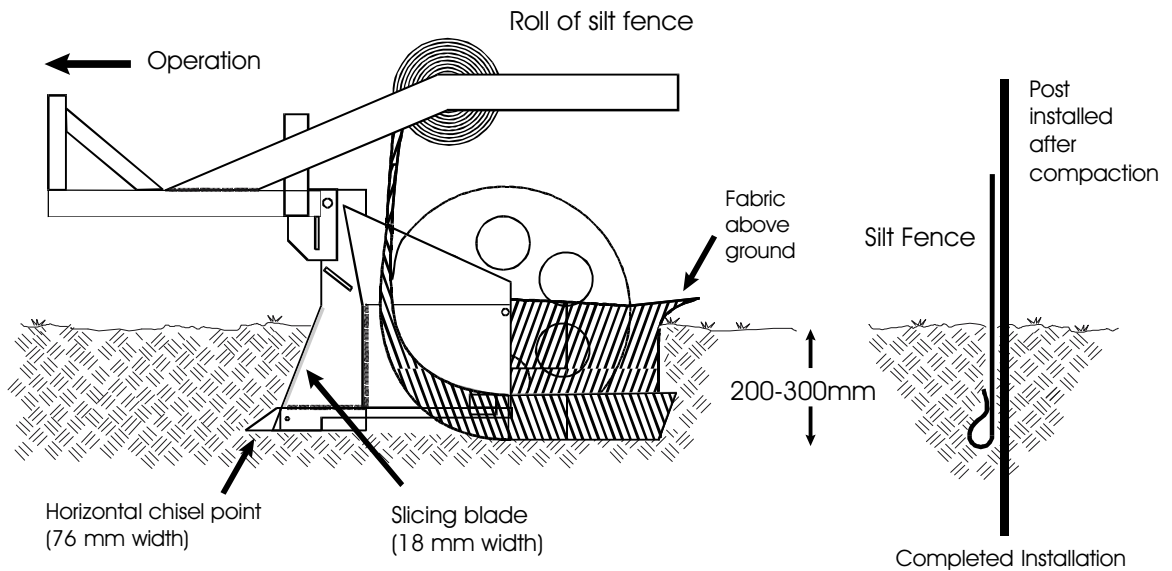
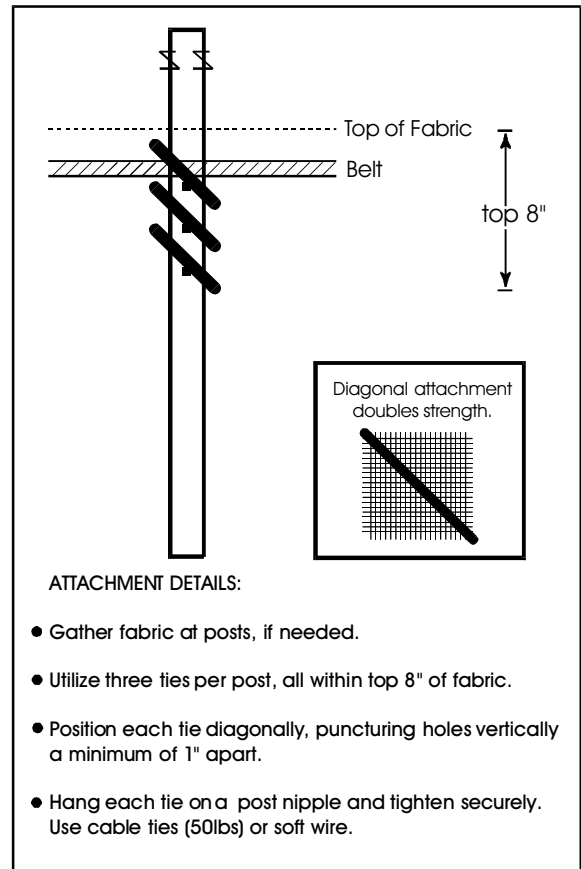


# The Slicing Method



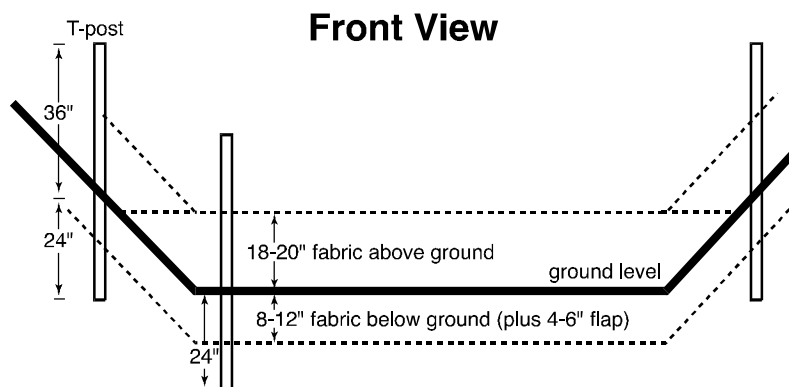
No more than 24" of a 36" fabric is allowed above ground.



Vibratory plow is not acceptable because of horizontal compaction

## Specification Details

1. The base of both end posts must be at least 2-4" above the top of the silt fence fabric on the middle posts for ditch checks to drain properly. Use a hand level or string level, if necessary, to mark base points before installation.
2. Install posts 3-4ft apart in critical water retention areas and 6-7ft apart on standard applications.
3. Install posts 24 inches deep on the downstream side of the silt fence, and as close as possible to the fabric, enabling posts to support the fabric from upstream water pressure.
4. Install posts with the nipples facing away from the silt fence fabric.
5. Attach the fabric to each post with three ties, all spaced within the top 8" of the fabric. Attach each tie diagonally 45 degrees through the fabric, with each puncture at least 1" vertically apart. Also, each tie should be positioned to hang on a post nipple when tightened to prevent sagging.
6. Wrap approximately 6 inches of fabric around the end posts and secure with 3 ties.
7. No more than 24" of a 36" fabric is allowed above ground level.
8. The installation should be checked and corrected for any deviations before compaction. Use a flat-bladed shovel to tuck fabric deeper into the slit if necessary.
9. Compaction is vitally important for effective results. Compact the soil immediately next to the silt fence fabric with the front wheel of the tractor, skid steer, or roller exerting at least 60 pounds per sq. inch. Compact the upstream side first, and then each side twice for a total of four trips.



The base of both end posts must be 2-4" above the fabric on the middle posts for the silt fence to properly drain. Use string level when necessary.